

1  
.1.1

Proximity Sensors, Inductive Sensors, cylindrical



## Technical Data

For detailed data and product description refer to the data sheets at [www.pepperl-fuchs.com](http://www.pepperl-fuchs.com)

### General Data

Type of voltage	DC
Operating voltage	10 ... 30 V
Reverse polarity protection	✓
Operating current	0 ... 200 mA
Short-circuit protection	pulsing
Indication of the switching state	LED, yellow
Ambient temperature	-25 ... 70 °C (-13 ... 158 °F)
Housing material	PBT
Protection degree	IP68 / IP69K
Connection type	cabl PVC , 2 m



## Properties

- Ø18 mm housing
- Up to 8 mm, flush and non-flush mountable versions
- DC, 3-wire and 4-wire switching output versions
- Cable and connector versions

### Model Number

		NBB5-18GK50-E0	NBB5-18GK50-E2	NBN8-18GK50-A2
Rated operating distance	5 mm	●	●	
	8 mm			●
Installation	flush	●	●	
	non-flush			●
Switching element function	NPN	●		
	NO			
	PNP		●	●
No-load supply current	≤ 15 mA	●	●	
	≤ 25 mA			●
Switching frequency	0 ... 500 Hz			●
	0 ... 1000 Hz	●	●	

### Approvals and Certificates

UL approval	cULus Listed, General Purpose	●	●	●
CSA approval	cCSAus Listed, General Purpose	●	●	●
CCC approval	Products with a maximum operating voltage of ≤36 V do not bear a CCC marking because they do not require approval.			

### Dimensions

	NBB5-18GK50-E0	NBB5-18GK50-E2	NBN8-18GK50-A2
Length L [mm]	52	52	53
Diameter D [mm]		18	
Thread length l <sub>t</sub> [mm]		49	
Cap length l <sub>1</sub> [mm]		1	
Connector area l <sub>c</sub> [mm]		0	
LED position		Pos. C	

## Accessories

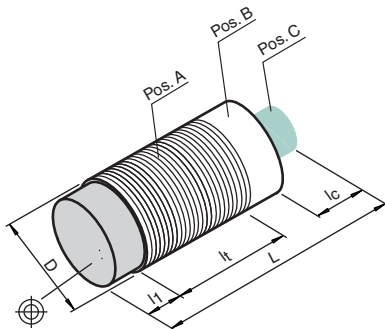
This and more accessories can be found in chapter 10

See pages from 972 ... for cordsets

See pages 1068 ... for mounting aids

BF 18

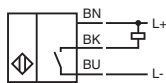
Mounting flange, 18 mm



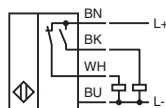
## Electrical Connection



NBB5-18GK50-E0



NBN8-18GK50-A2



NBB5-18GK50-E2

